

Volkswagen > Passat > 2006 - 2007

Electrical Equipment

94 - Headlamps

.

Headlamps, Hella, Replacing Bulbs

⇒ [Headlamp Low Beam Bulb, Replacing](#)

⇒ [High Beam Headlamps, Replacing](#)

⇒ [Parking Lamp, Replacing](#)

.

Headlamp Low Beam Bulb, Replacing

Note:

- ◆ *Left Low Beam Headlamp M29 and Right Low Beam Headlamp M31 can be checked via output Diagnostic Test Mode (DTM) of Vehicle Electrical System Control Module J519 .*

Removing:

- Switch off ignition and all electrical components and move ignition key or start button into position 0 (preliminary engaged position).

Note:

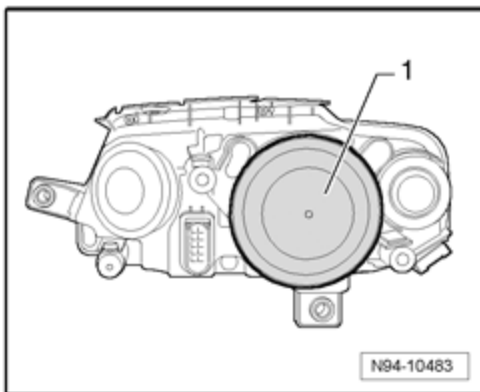
- ◆ *During removal and installation, leave ignition key with remote control inside the vehicle to prevent the doors from locking and possibly activating the "Coming Home / Leaving Home" functions on its own.*
- ◆ *In order to be able to replace low beam headlamp, it is sometimes necessary to remove neighboring components at the corresponding headlamp.*
- ◆ *Refer to the following tables to determine additional component removal as required, depending on engine.*

Vehicles with gasoline engine			Replacing Left Low Beam Headlamp M29	Right Low Beam Headlamp M31 , replacing
Displacement	Engine code	Engine:		
1.6L	BSE	75 kW	- 1) ¹	- 1) ¹

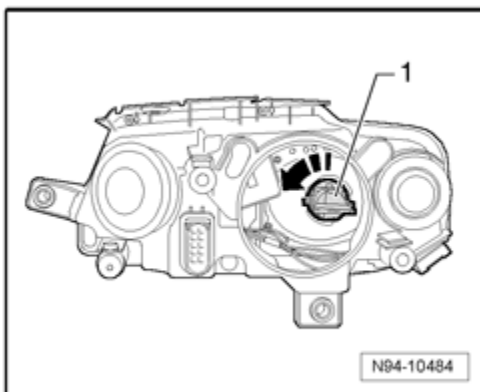
	BSF	75 kW	- 1) ¹	- 1) ¹	Note:
	BLF	85 kW	- 1) ¹	- 1) ¹	
2.0L	BLR	110 kW	- 1) ¹	- 1) ¹	
	BLX	110 kW	- 1) ¹	- 1) ¹	
	BVY	110 kW	- 1) ¹	- 1) ¹	
	AXX	147 kW	- 1) ¹	- 1) ¹	
	BPY	147 kW	- 1) ¹	- 1) ¹	
3.2L	AXZ	184 kW	- 1) ¹	- 1) ¹	
3.6L	BLV	206 kW	- 1) ¹	- 1) ¹	

♦ *The following illustrations depict replacement of right low beam headlamp bulb.*

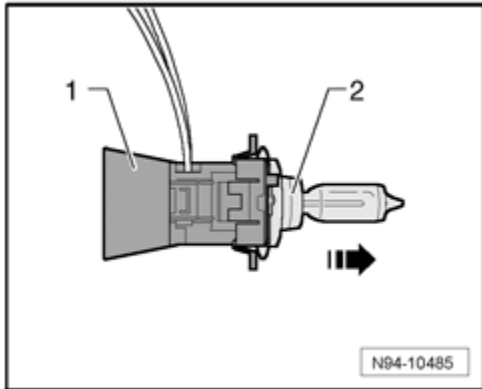
♦ *Replacement of Left Low Beam Headlamp M29 and Right Low Beam Headlamp M31 are similar.*



- Pull off cover cap - 1 - .



- Unscrew lamp socket with Low Beam Headlamp - 1 - in - **direction of arrow** - and take it out of headlamp as far as wire lengths permit.

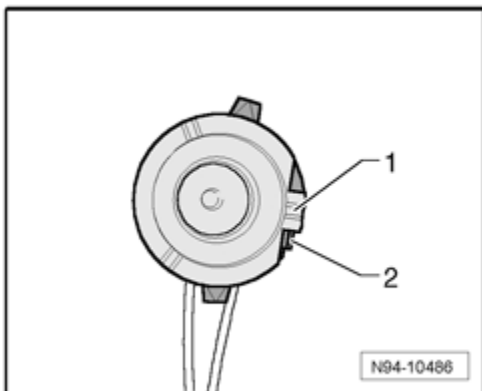


- Pull low beam headlamp bulb - **2** - out of lamp socket - **1** - in - **direction of arrow** - .

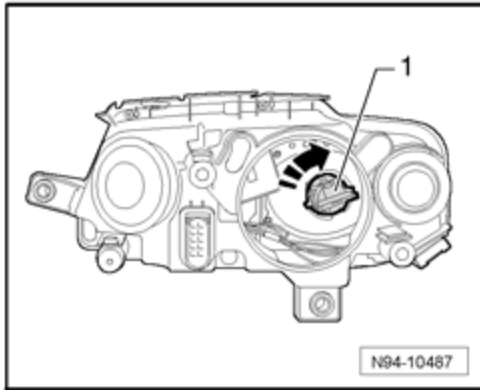
Installing:

Note:

- ◆ *When installing cap, ensure proper seating. Water intrusion will damage headlamp.*
- ◆ *Do not touch the glass of the lamp bulb, when installing. Your fingers will leave traces of grease on the glass which, when the lamp is switched on, will evaporate and cloud the glass.*



- Insert low beam headlamp bulb into lamp socket so that peg - **1** - of low beam headlamp bulb lies on the guide - **2** - of lamp socket.



- Insert lamp socket with low beam headlamp bulb - **1** - into headlamp and rotate lamp socket with low beam headlamp bulb in - **direction of arrow** - .
- Reinstall cover cap.
- Check headlamp for function.
- Check and adjust headlamp aim if necessary ⇒ Repair Manual, Maintenance .

High Beam Headlamps, Replacing

Note:

- ♦ *Left High Beam Headlamp M30 and Right High Beam Headlamp M32 function can be checked using Vehicle Electrical System Control Module J519 On Board Diagnostic (OBD) function "Output Diagnostic Test Mode (DTM)".*

Removing:

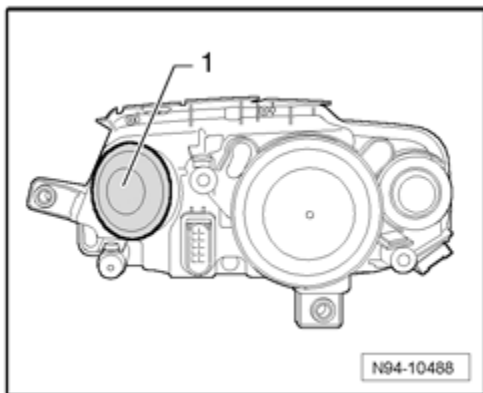
- Switch off ignition and all electrical components and move ignition key or start button into position 0 (preliminary engaged position).

Note:

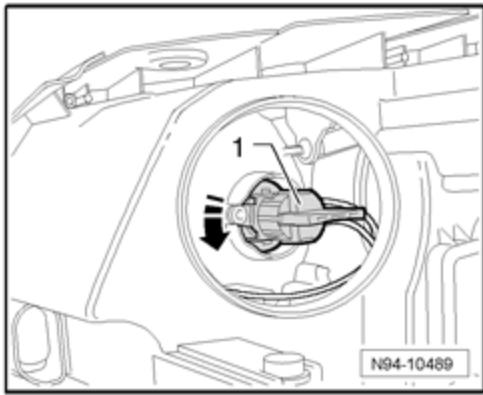
- ♦ *During removal and installation, leave ignition key with remote control inside the vehicle to prevent the doors from locking and possibly activating the "Coming Home / Leaving Home" functions on its own.*
- ♦ *In order to be able to replace high beam headlamp, it is sometimes necessary to remove neighboring components at the corresponding headlamp.*
- ♦ *Refer to the following tables to determine additional component removal as required, depending on engine.*

Vehicles with gasoline engine			Replacing Left High Beam Headlamp M30	Replacing Right High Beam Headlamp M32	Note:
Displacement	Engine code	Engine:			
1.6L	BSE	75 kW	- 1) ¹	- 1) ¹	
	BSF	75 kW	- 1) ¹	- 1) ¹	
	BLF	85 kW	- 1) ¹	- 1) ¹	
2.0L	BLR	110 kW	- 1) ¹	- 1) ¹	
	BLX	110 kW	- 1) ¹	- 1) ¹	
	BVY	110 kW	- 1) ¹	- 1) ¹	
	AXX	147 kW	- 1) ¹	- 1) ¹	
	BPY	147 kW	- 1) ¹	- 1) ¹	
3.2L	AXZ	184 kW	- 1) ¹	- 1) ¹	
3.6L	BLV	206 kW	- 1) ¹	- 1) ¹	

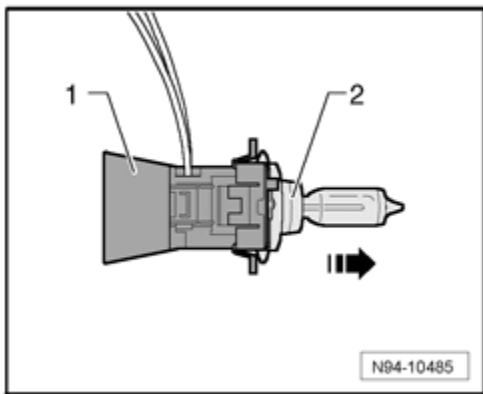
- ◆ *Illustrations depict replacement of high beam headlamp bulb at right headlamp.*
- ◆ *Procedure to replace Left High Beam Headlamp M30 and Right High Beam Headlamp M32 is the same.*



- Pull off cover cap - 1 - .



- Unscrew lamp socket with high beam headlamp - **1** - in - **direction of arrow** - and take it out of headlamp as far as wire lengths permit.

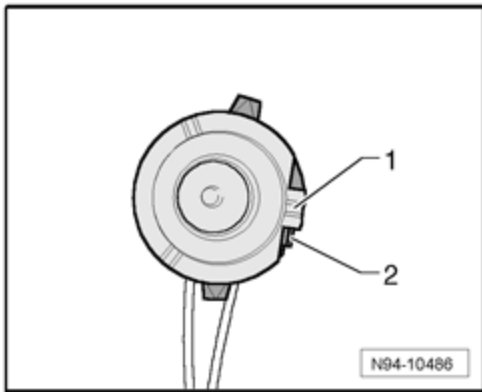


- Remove high beam bulb - **2** - in direction of - **arrow** - from bulb socket - **1** - .

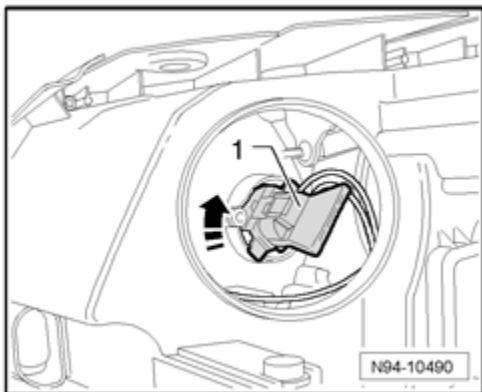
Installing:

Note:

- ◆ *When installing cap, ensure proper seating. Water intrusion will damage headlamp.*
- ◆ *Do not touch the glass of the lamp bulb, when installing. Your fingers will leave traces of grease on the glass which, when the lamp is switched on, will evaporate and cloud the glass.*



- Insert high beam bulb in socket so bulb tab - **1** - aligns with bulb socket guide - **2** - .



- Insert socket with high beam bulb - **1** - in headlamp housing and secure by turning in direction of - **arrow** - .
- Reinstall cover cap.
- Check headlamp for function.
- Check and adjust headlamp aim if necessary ⇒ Repair Manual, Maintenance .

Parking Lamp, Replacing

Note:

- ♦ *Left Parking Lamp M1 and Right Parking Lamp M3 can be checked via output Diagnostic Test Mode (DTM) of Vehicle Electrical System Control Module J519 .*

Removing:

- Switch off ignition and all electrical components and move ignition key or start button into position 0 (preliminary engaged position).

Note:

- ♦ *During removal and installation, leave ignition key with remote control inside the vehicle to prevent the doors from locking and possibly activating the "Coming Home / Leaving Home" functions on its own.*
- ♦ *In order to be able to replace parking lamp, it is sometimes necessary to remove neighboring components at the corresponding headlamp.*
- ♦ *Refer to the following tables to determine additional component removal as required, depending on engine.*

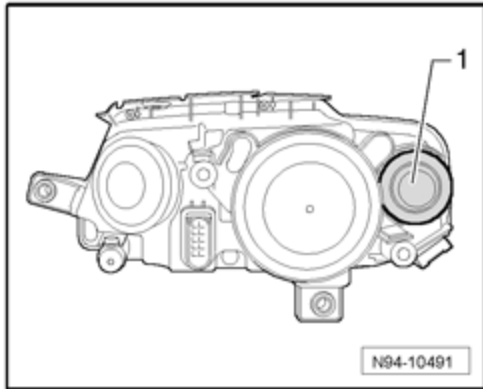
Vehicles with gasoline engine			Replacing Left Parking Lamp M1	Replacing Right Parking Lamp M3
Displacement	Engine code	Engine:		
1.6L	BSE	75 kW	- 1) ¹	- 1) ¹
	BSF	75 kW	- 1) ¹	- 1) ¹
	BLF	85 kW	- 1) ¹	- 1) ¹
2.0L	BLR	110 kW	- 1) ¹	- 1) ¹
	BLX	110 kW	- 1) ¹	- 1) ¹
	BVY	110 kW	- 1) ¹	- 1) ¹
	AXX	147 kW	- 1) ¹	- 1) ¹
	BPY	147 kW	- 1) ¹	- 1) ¹
3.2L	AXZ	184 kW	- 1) ¹	- 1) ¹
3.6L	BLV	206 kW	- 1) ¹	- 1) ¹

¹ No additional work required.

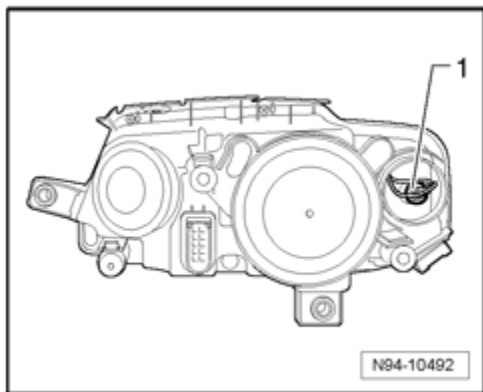
Vehicles with diesel engine			Replacing Left Parking Lamp M1	Replacing Right Parking Lamp M3
Displacement	Engine code	Engine:		
1.9L	BKC	77 kW	- 2) ¹	- 2) ¹
	BLS	77 kW	- 2) ¹	- 2) ¹
2.0L	BMA	100 kW	- 2) ¹	- 2) ¹
	BKP	103 kW	- 2) ¹	- 2) ¹
	BMP	103 kW	- 2) ¹	- 2) ¹
	BMR	125 kW	- 2) ¹	- 2) ¹
2.5L	BKX	132 kW	- 2) ¹	- 2) ¹

Note:

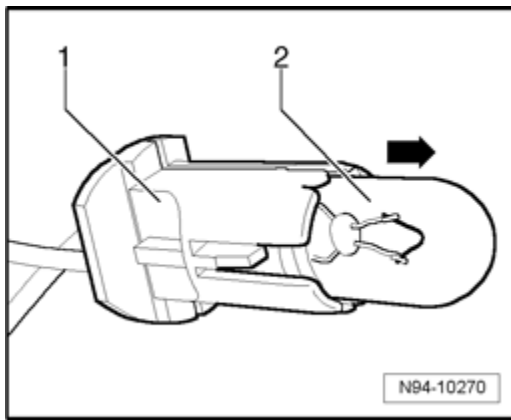
- ◆ *Illustrations depict replacement of parking lamp at right headlamp.*
- ◆ *Replacement of Left Parking Lamp M1 and Right Parking Lamp M3 are similar.*



- Pull off cover cap - 1 - .



- Pull the lamp socket - 1 - with parking lamp out of reflector as far as the wire lengths permit.



- Remove parking lamp - 2 - from lamp socket - 1 - in - **direction of arrow** - .

Installing:

Note:

- ◆ *When installing cap, ensure proper seating. Water intrusion will damage headlamp.*
- ◆ *Do not touch the glass of the lamp bulb, when installing. Your fingers will leave traces of grease on the glass which, when the lamp is switched on, will evaporate and cloud the glass.*

Install in reverse order of removal, noting the following:

- Check headlamp for function.
- Check and adjust headlamp aim if necessary ⇒ Repair Manual, Maintenance .

Copyright © 2008 Volkswagen of America, Inc. and Bentley Publishers. All rights reserved. Last processed: